

iCON 30

Stylish en-suites, en-suite, bathroom and utility room ventilation



KEY FEATURES

- Flow rate up to 33 l/s (119 m³/h)
- Stylish, slim and unobtrusive in walls or ceilings
- Reddot Design Award winning silent iris shutter prevents backdraughts
- Easy to install snap-in control modules available to control functionality
- A range of coloured covers available to suit your décor
- IPX4 rating
- 3 year warranty

iCON 30 is quiet, powerful and designed for recessed or surface mounting in walls or ceilings in larger en-suites, bathrooms and utilities rooms.

iCON 30 is designed to provide ventilation levels that comply with the latest Building Regulations.

The iCON fan is an efficient, stylish and unique ventilation solution for the modern home. The shutter design makes switching on and off almost silent and helps reduce external noise ingress.

The slim profile and iris shutter of the iCON make it a fan which will blend discreetly into any setting.



MODULES

72573602	Pull cord
72612601	Timer
72675702	Pull cord with delayed timer
72687103	Pull cord with timer and humidity
72687104	Timer with motion sensor
72687102	Timer with humidity and motion sensor
72675703	2 speed humidity with pull cord boost



TECHNICAL DATA

Specification	iCON 30
Air flow [m³/h / l/s]	121 / 33
Fan type	mixed flow
Mounting position	wall / ceiling
Sound pressure @ 3 m [dB(A)]	33.3
Power [W]	10.7
Building regulations	compliant
Duct diameter [mm]	100
Supply voltage	230 V / 1ph / 50 Hz
Ingress protection rating	IPX4
Max ambient temperature [°C]	40
Weight [kg]	1.2
Dimensions H x W x D [mm]	225 x 225 x 144
Part number	72687257
EAN	5019009331195

COVERS

Colour	Part No.	Colour	Part No.
Silver	52634507	Ultimate Grey	52634517
Sandstone	52634508	Turquoise	52634518
Anthracite	52634506	Navy Blue	52634519

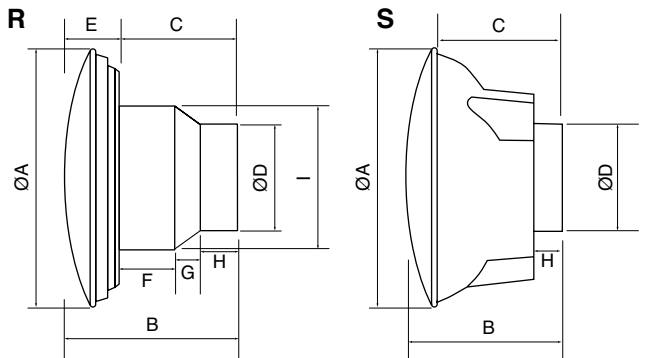


Sandstone Silver Anthracite



Ultimate Grey Turquoise Navy Blue

DIMENSIONS

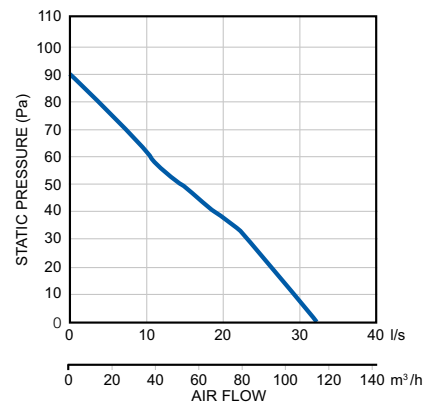


R = Recessed without skirt

S = Surface mounted with skirt

Model	A	B	C	D	E	F	G	H	I
iCON 30 (R)	225	144	92	97	43	51	20	30	148
iCON 30 (S)	225	144	101	97	-	-	-	29	-

PERFORMANCE



CONTROLS AND ACCESSORIES



TM Module
No: 72612601
Adjustable
timer module
1 - 30 minutes.



HTM Module
No: 72687103
Adjustable
humidity
setting,
adjustable
timer and pull
cord timer.



PRHTM Module
No: 72687102
Motion sensor
activation with
adjustable
humidity setting
and adjustable
timer.



PRTM Module
No: 72687104
Motion sensor
activation with
adjustable
timer between
1-30 minutes.

Others products available from airflow.com

Call: 01494 525252

Visit: airflow.com



Airflow Developments Limited
Aidelle House, Lancaster Road,
Cressex Business Park,
High Wycombe, Buckinghamshire,
United Kingdom, HP12 3QP

E-mail: info@airflow.com
Telephone: +44 (0) 1494 525252

airflow.com

© Airflow Developments Limited. Airflow Developments Limited reserve the right, in the interests of continuous development, to alter specifications without prior notice. All orders are accepted subject to our conditions of sale which are available on request

