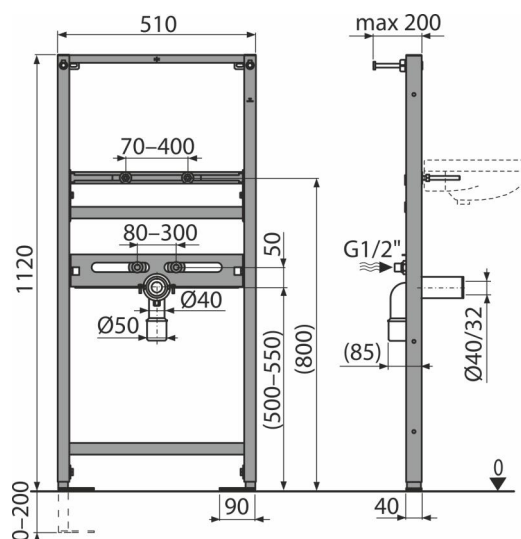


# A104/1120

## Mounting frame for wash-basin



### Application

For wall-hung sinks

For installation deck mounted faucet

For mounting in front of a support wall or in to a plasterboard construction

### Features

- Self-supporting frame
- Height adjustable partitions
- Adjustable anchor feet and a spring-lock system, with a range of 0–200 mm
- Fixing spacing for wash-basin 70–400 mm
- Water supply pitch 80–300 mm
- The frame construction allows the anchoring to a separate sufficiently strong plasterboard partition, in front of the bearing wall
- Material: powder-coated metal

### Scope of supply

- Mounting frame
- Fixation set: screw Ø8x60 – 4 pcs, dowel Ø12 – 4 pcs
- Fixation material for washbasins: bolt M10x100 – 2 pcs
- Covers for the fixing material
- Connection fittings G1/2"–G1/2"
- Waste elbow with seal

### Order number, Logistic information

Code	EAN	Weight (piece   packing   palett)	Dimensions (piece   packing)	Quantity (packing   palett)
A104/1120	8595580551544	8,26   8,26   267,9 kg	1125x515x75   1125x515x75 mm	1   30 pcs

### Warranty

2/15 years \*

### Technical specifications

- Load test 150 kg
- Web[Height] 1120