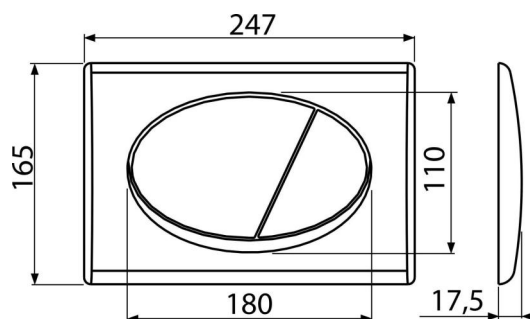


# M71

Flush plate for pre-wall installation systems, chrome-polished



### Application

For pre-wall installation systems and concealed WC cisterns

### Features

- Double-acting mechanical flushing
- Compatible for all pre-wall installation systems and cisterns for building into solid walls Alca
- Surface finish: chrome-polished
- Material: ABS – chrome-plated

### Scope of supply

- Flush plate
- Fixing frame of the flush plate
- Threaded frame clamp 2 pcs
- Flushing mechanism screws 2 pcs
- Template for correct flush plate setup

### Order number, Logistic information

| Code | EAN           | Weight<br>(piece   packing   palett) | Dimensions<br>(piece   packing) | Quantity<br>(packing   palett) |
|------|---------------|--------------------------------------|---------------------------------|--------------------------------|
| M71  | 8594045936209 | 0,40   10,09   302,6 kg              | 250×40×175   595×245×395 mm     | 25   700 pcs                   |

### Warranty

2/2 years \*

### Technical specifications

- Operating force < 20 N